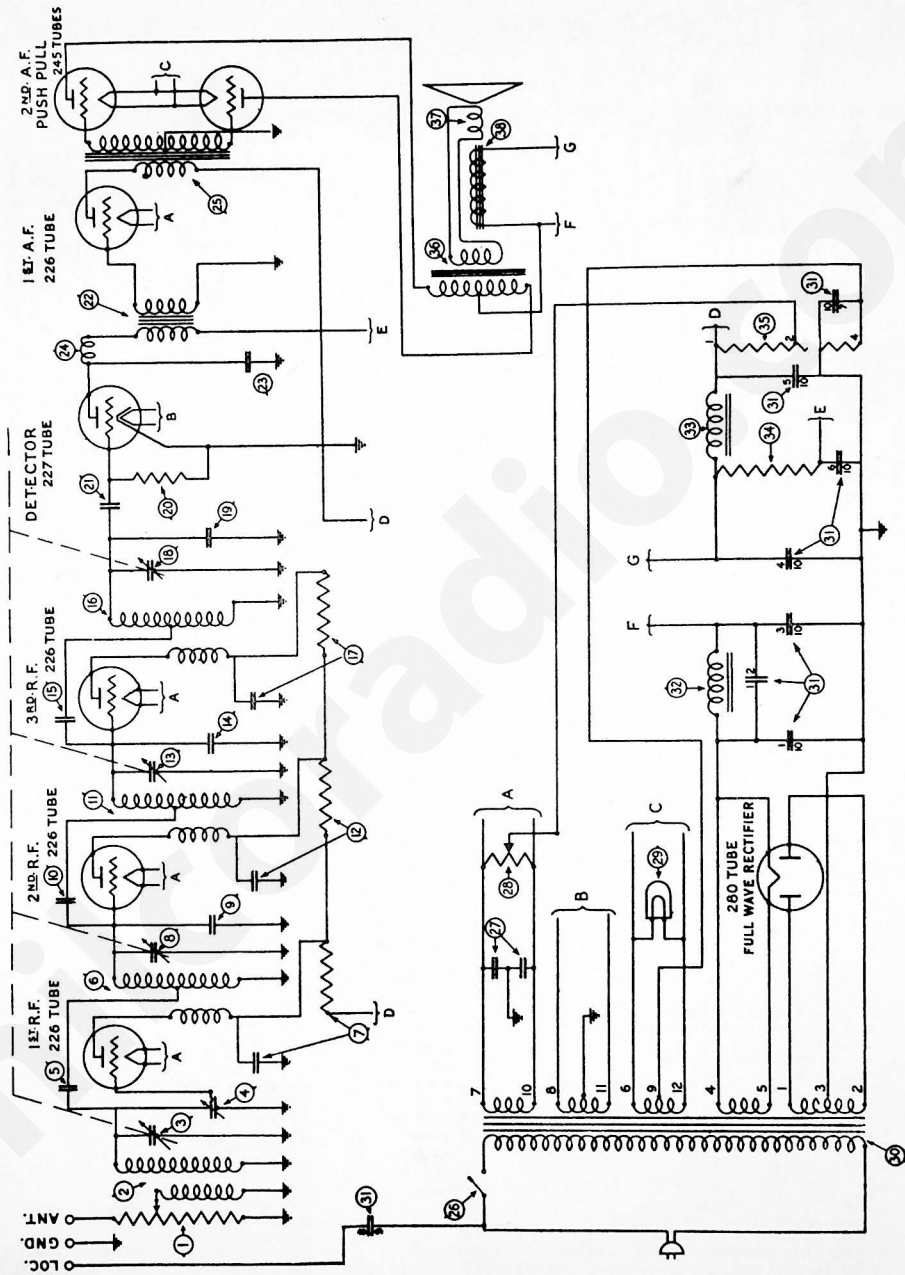
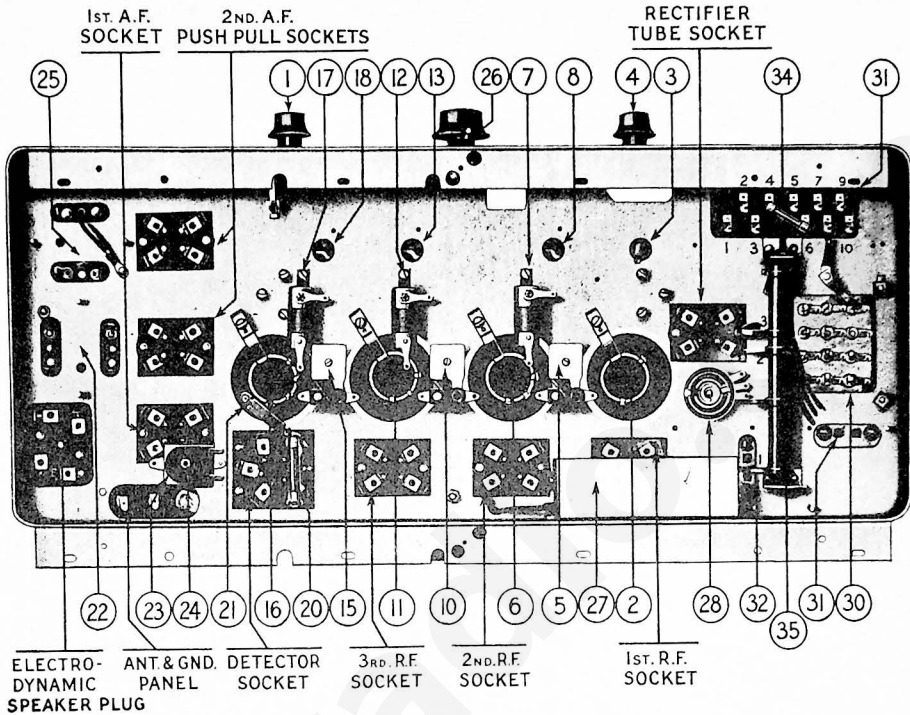


Model 87



Model 87



Replacement Parts for Model 87

PART NAME	PART No.
① Volume Control	3076
② R. F. Transformer (Antenna Tuning)	3075-B
③ Tuning Condenser (Complete with Drum and Scale)	3001-B
④ Range Control	3133
⑤ Neutralizing Condenser	3441-A
⑥ R. F. Transformer	3075-A
⑦ By-Pass Condenser (.1 mfd. with Plate Resistor Winding)	3292-A
⑧ Compensating Condensers	3435-A
⑨ Grid Leak	3083
⑩ Grid Condenser	3082
⑪ Audio Transformer	3241
⑫ By-Pass Condenser (.001 mfd.)	3081
⑬ Detector R. F. Choke	3256-A
⑭ Push-Pull Input Transformer	3242
⑮ Power Toggle Switch	3501
⑯ Filament By-Pass Condenser (2 Sections 5 mfd.)	3080
⑰ 6-Ohm Hum Adjustor	3096
⑱ Pilot Lamp	3463
⑲ Power Transformer	3400
⑳ Filter Condenser Block	3401
㉑ Filter Choke Coil (First)	3422
㉒ Filter Choke Coil (Second)	3472
㉓ Detector Resistor	3542
㉔ B-C Resistor	3399
㉕ Push-Pull Output Transformer	2848
㉖ Speaker Cone and Voice Coil	2844-A
㉗ Speaker Field Coil	2850
㉘ Speaker Plug	2871-A
㉙ Cable Spring	3012
㉚ Control Knob Tuning Condenser	3301
㉛ Control Knob (Volume and Range Control)	3300
㉜ Condenser Drive Cable	3484
㉝ Knob Spring	3306
㉞ Fibre Adjusting Wrench	3164
㉟ 4-Hole Tube Socket	3423-A
㊱ Pilot Lamp Socket Assembly	3202-A
㊲ Terminal Panel Assembly	3236-A
㊳ Speaker Socket	3464-A
㊴ 5-Hole Tube Socket	3442-A
㊵ A.C. Attachment Cord and Plug	L-943-A
㊶ Speaker Cable	L-1056-A
㊷ Socket Wrench for Speaker Mounting Bolts	3312
㊸ Tuning Scale	3398
㊹ Oscillator Kit	3540
㊺ Wood Switch Plug	3627